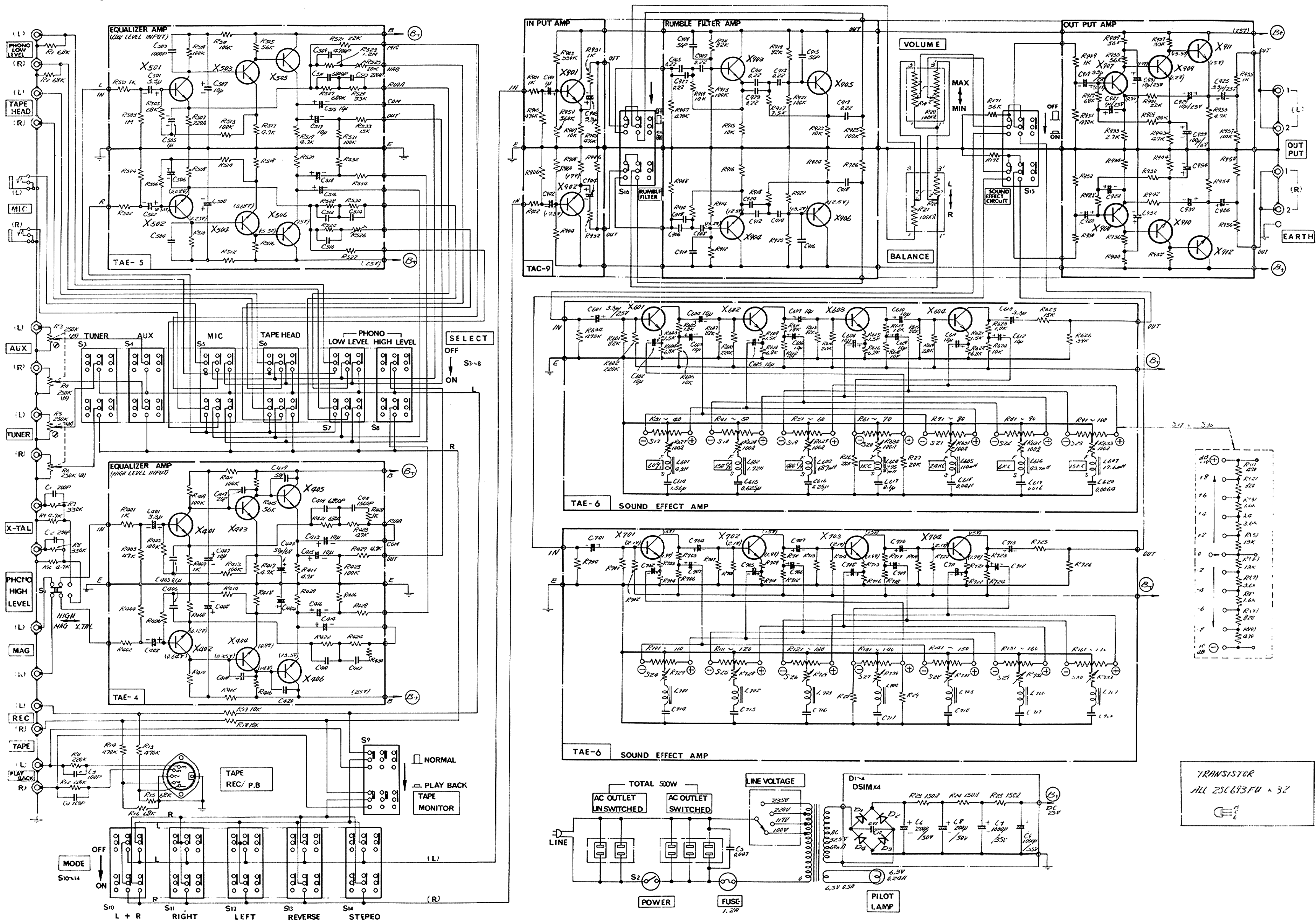


Schematic Diagram Model 5012/MST-1000E



Schematic Diagram Model 5011/PST-1000E

Subject to change without notice